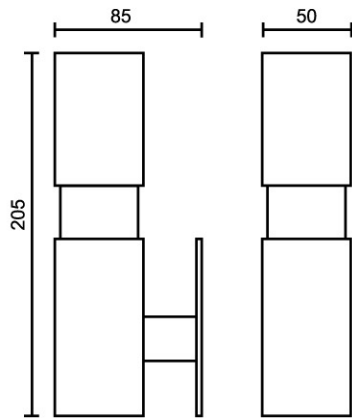
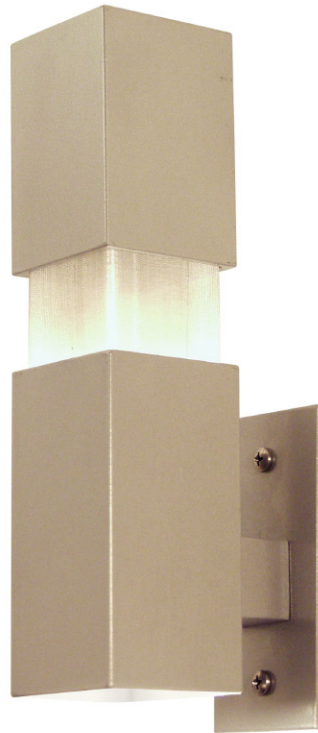


Elite wall: CLS W04

Up and down wall fixture with a stainless steel mesh insert. Elite is also available in a 240 volt fitting upon request. Transformer not included.



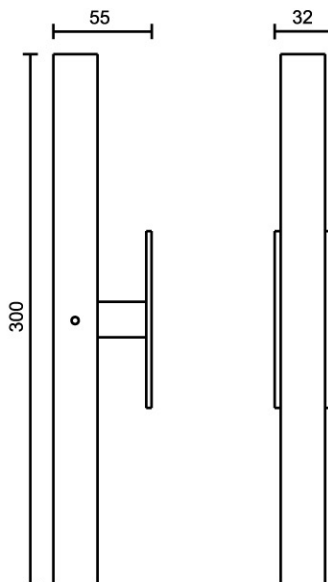
2x  2 Pin Halogen G4 (50w max.)

2x  G9 Bi-Pin Halogen (50w max.)

Elite

Line wall: CLS W03

Up and down wall light with 2 x 20 watt halogen globes. A minimal fitting with clean lines for contemporary spaces. Transformer not included.

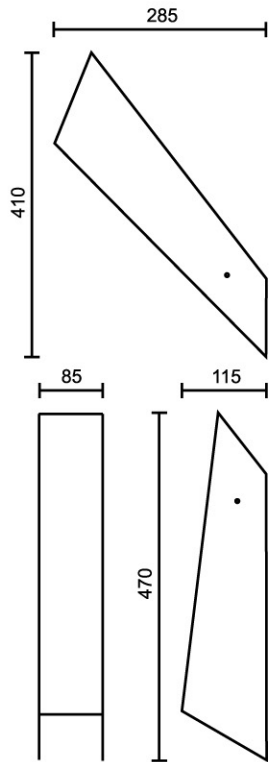


2x  2 Pin Halogen G4 (20w max.)

Line

Flux wall up + down: CLS W05
Flux wall up: CLS W56

A versatile fixture with a clean look. The Flux can be used as either a wall wash up light or as an up and down light to highlight a column.



Flux



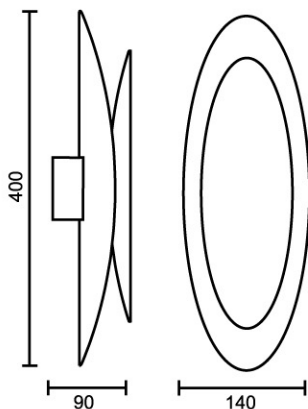
Candle BC Bulb
(60w max.)



Compact Fluorescent BC Bulb
(15w max.)

Scoop wall: CLS W37

Up and down wall light with concave and convex shades. Fixture has a halo lighting effect with an ambient wall wash. Fitting can be made with 240 volt or 12 volt lamp houses. Transformer not included.



2x



2 Pin Halogen G4
(20w max.)

2x



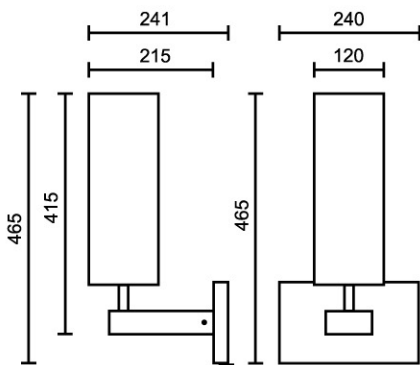
Bi-Pin Halogen G9
(20w max.)


Scoop


Air wall: Timber - CLS W43
CLS W08



Available with timber wall mount or in brushed metal.
Shades are available in a range of materials upon request.
Shown here in: P5 and P4



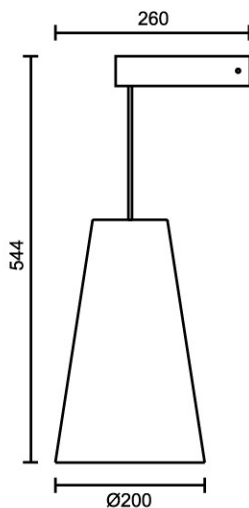
 Standard BC Bulb
(75w max.)

 Compact Fluorescent BC Bulb
(20w max.)


Air

Bel wall: CLS W07
Jarrah - CLS W42

Available with Jarrah timber wall mount or in brushed metal. Shades can be made in other materials upon request. Shown here in: P4



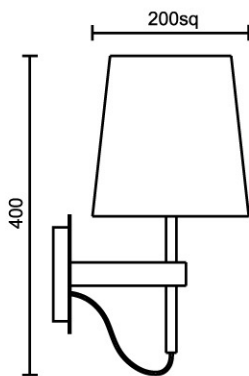
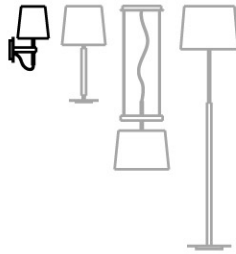
 Standard BC Bulb
(60w max.)


 Compact Fluorescent BC Bulb
(20w max.)

Bel

Titan wall: CLS W36

Designed using stainless steel and timber to create a defined line and maintaining a natural warmth. A rectangular shade is also available for this fitting. Shown here in: P4

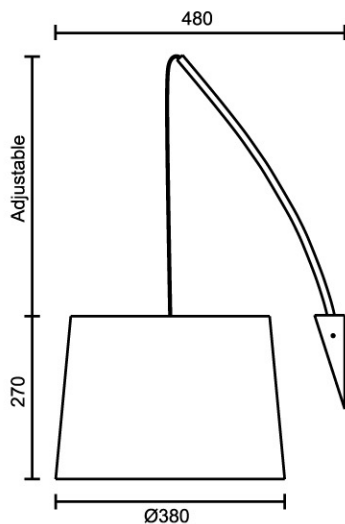



 Standard BC Bulb (75w max.)


Titan

Orchid wall : CLS W01

Metal wall bracket with shade. Suitable for a bedside light or for over banquette seating. Fixture may vary with cord length or other types of shades. Shown here in: P9



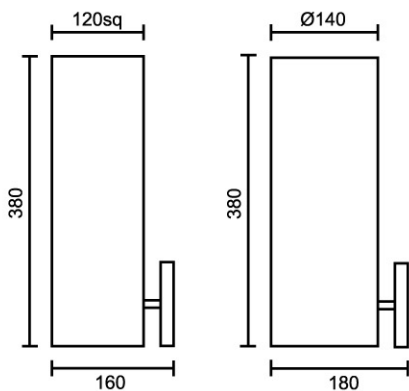
 Standard BC Bulb (75w max.)


 Compact Fluorescent BC Bulb (20 watt max)


Orchid

Kis wall: **Square - CLS W40**
 Round - CLS W41

Sleek and simple wall mount shade available in square or round and in a range of different materials.
 Shown here in: P4 + P42.



 Standard BC Bulb (60w max.)

 Compact Fluorescent BC Bulb (20w max.)

Kis

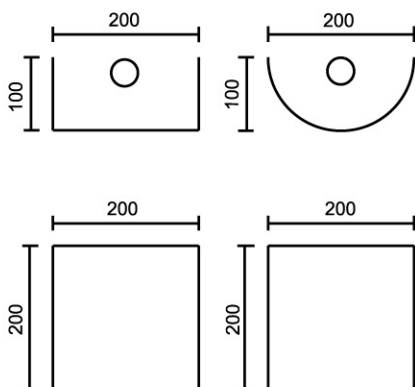
Switch wall: **Square - CLS W38**
 Round - CLS W39

Switch wall sconce comes in a range of materials, textures and colours. It is available in a square or round shade and also in a 600mm long version.



P43

306



700



W2



377

 Standard BC Bulb (60w max.)

Switch